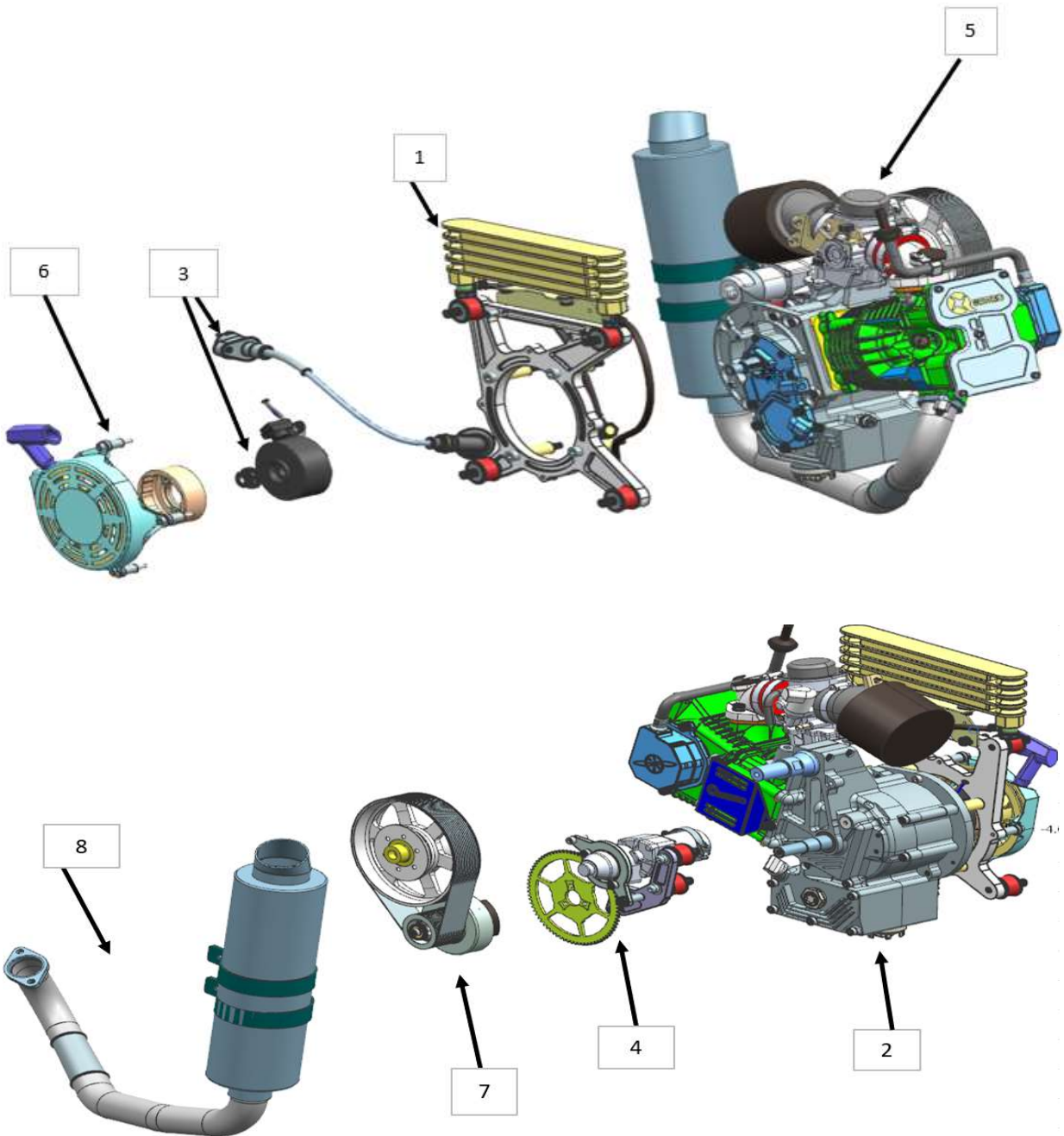




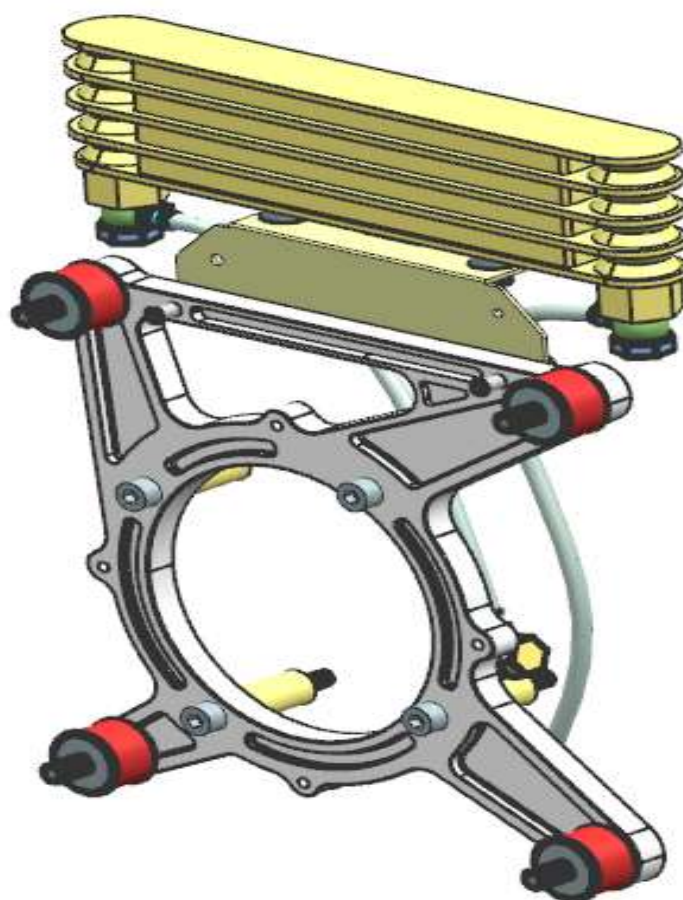
SPARE-PART LIST



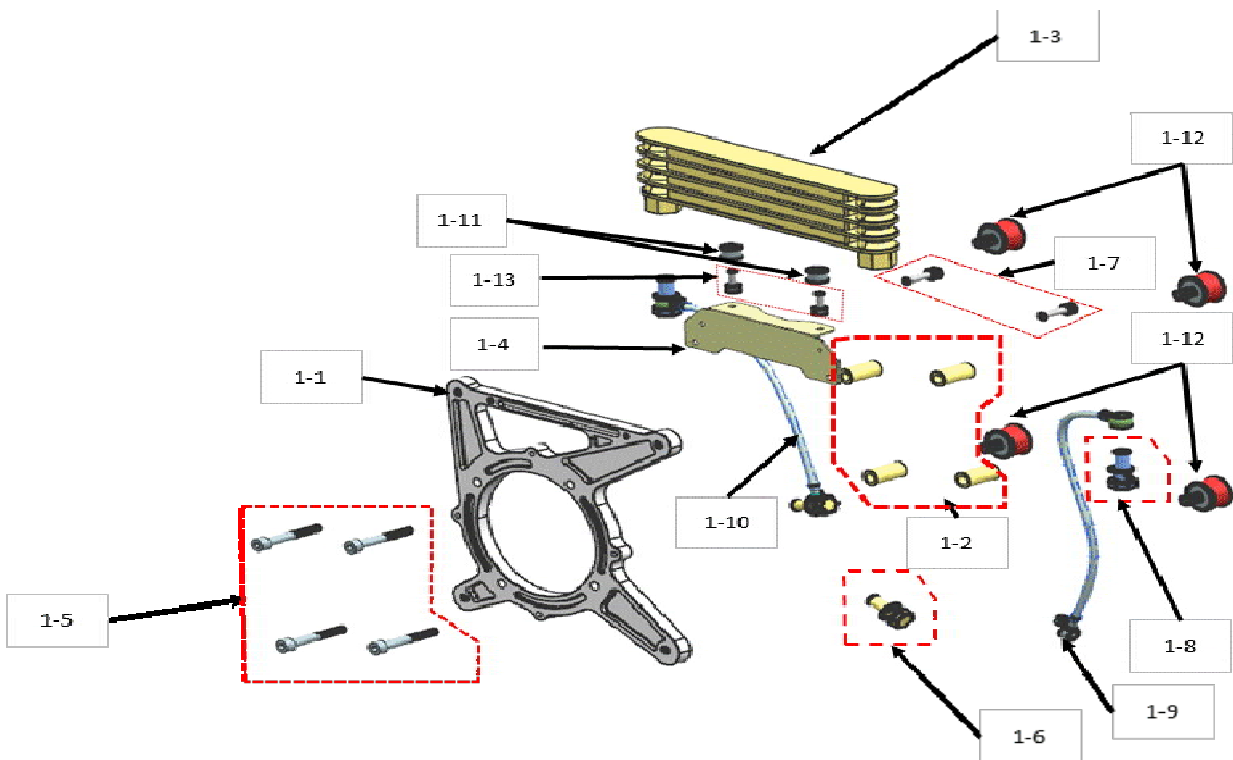
Item	P/N	System name	Qty
0	000Z001	Engine assembly	1
1	100Z001	Engine Frame	1
2	200Z001	Engine unit	1
3	300Z001	Ignition	1
4	400Z001	Start motor	1
5	500Z001	Fuel	1
6	600Z001	Rope start	1
7	700Z001	Belt transmission	1
8	800Z001	Exhaust	1



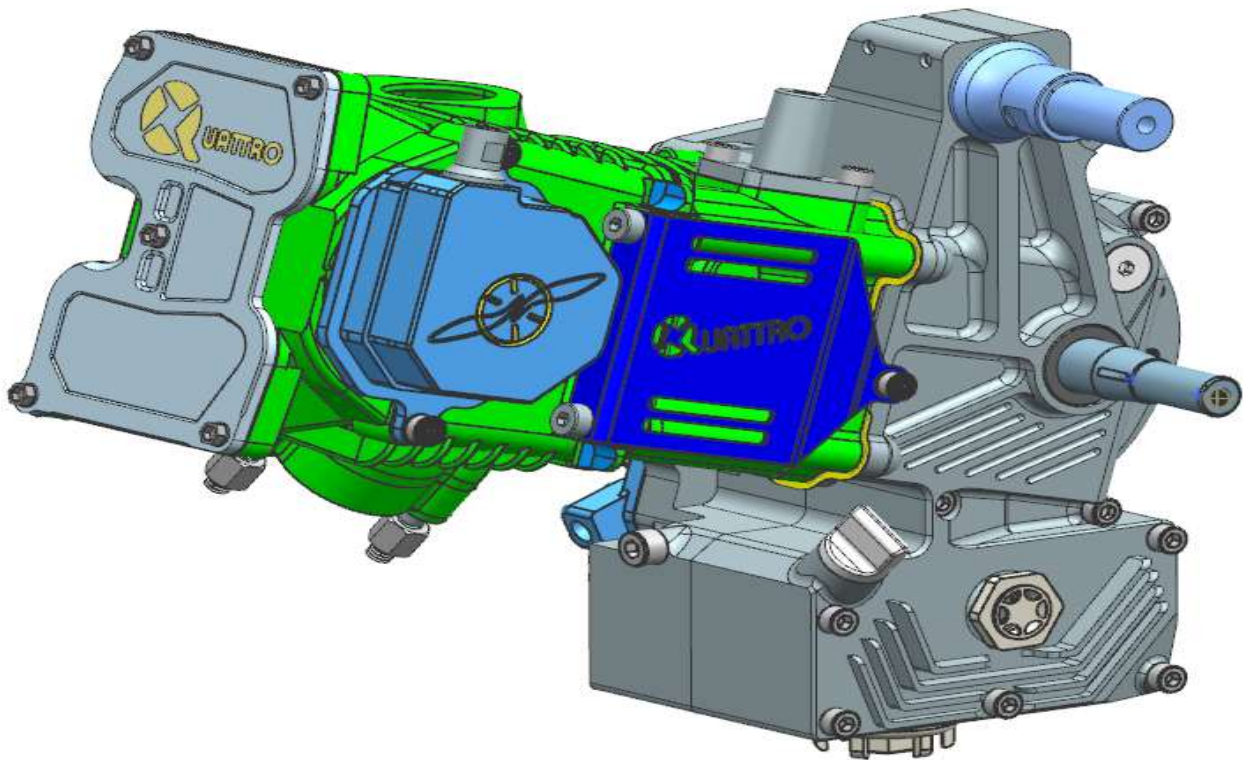
1 Frame sub-assembly



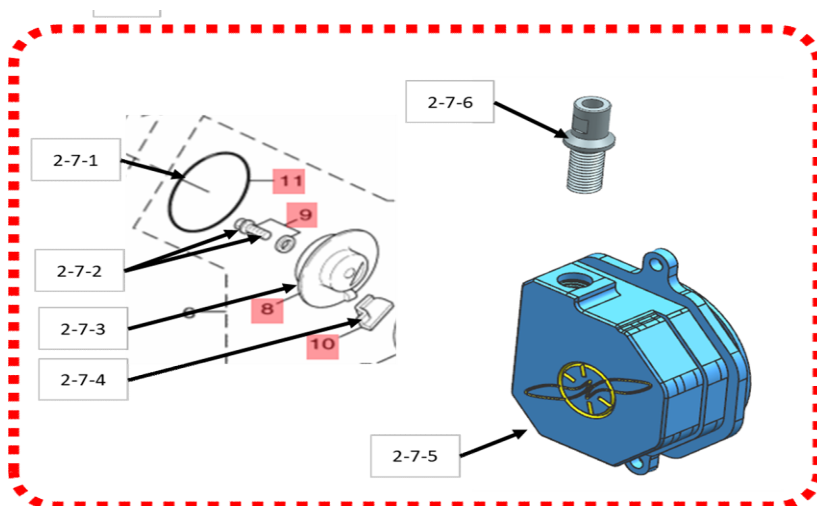
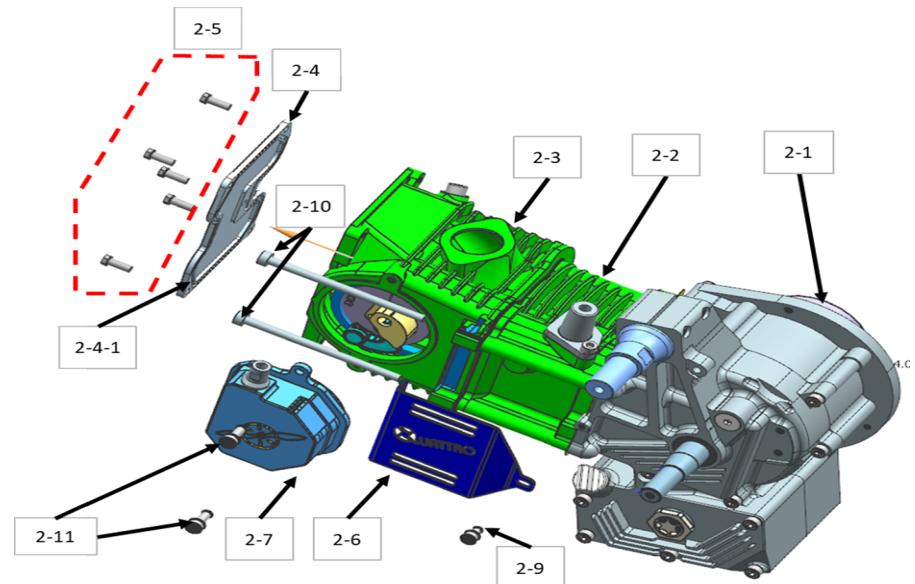
Item	P/N	Part name	Qty
1	100Z001	Frame subassembly	1
1-1	100A001	Engine mount bracket	1
1-2	100B001	M8 AL collar	4
1-3	100C001	Oil cooler	1
1-4	100D001	Oil cooler bracket	1
1-5	100E001	CBM8-55 M8	4
1-6	100F001	M10*1.25 hose bolt	2
1-7	100G001	screws(CBM6-25)	2
1-8	100H001	M12*1.25 hose bolt	2
1-9	100I001	Oil In hose	1
1-10	100J001	Oil Out hose	1
1-11	100K001	Oil cooler bush	2
1-12	100L001	Engine frame bush	4
1-13	100M001	Oil cooler bolt	2



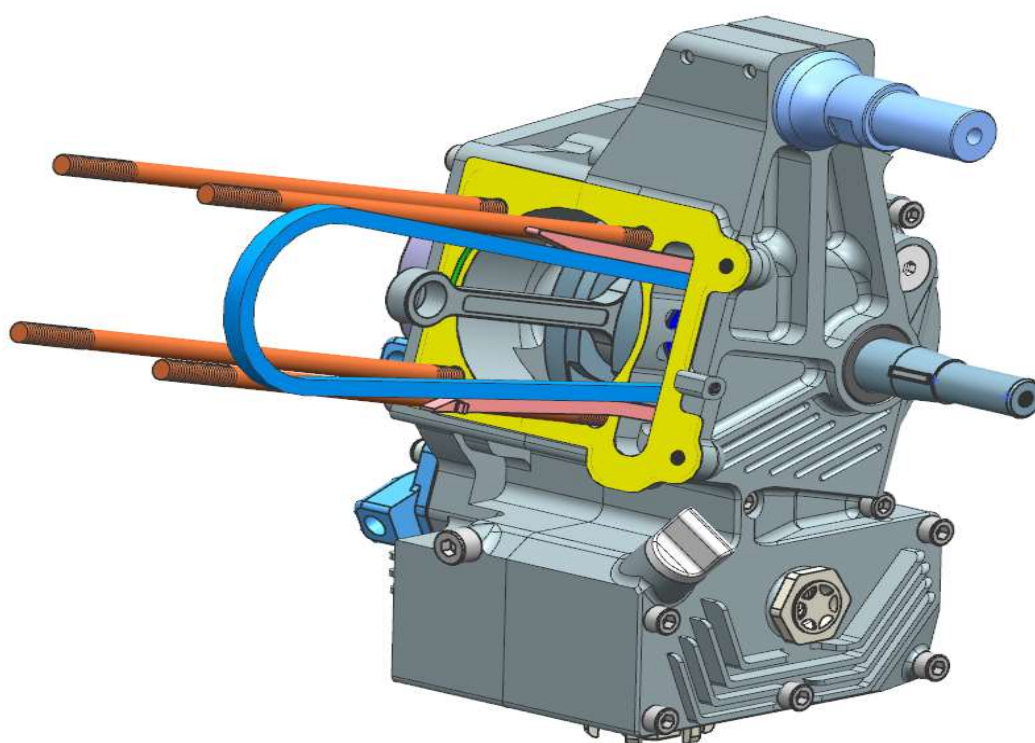
2. Engine unit



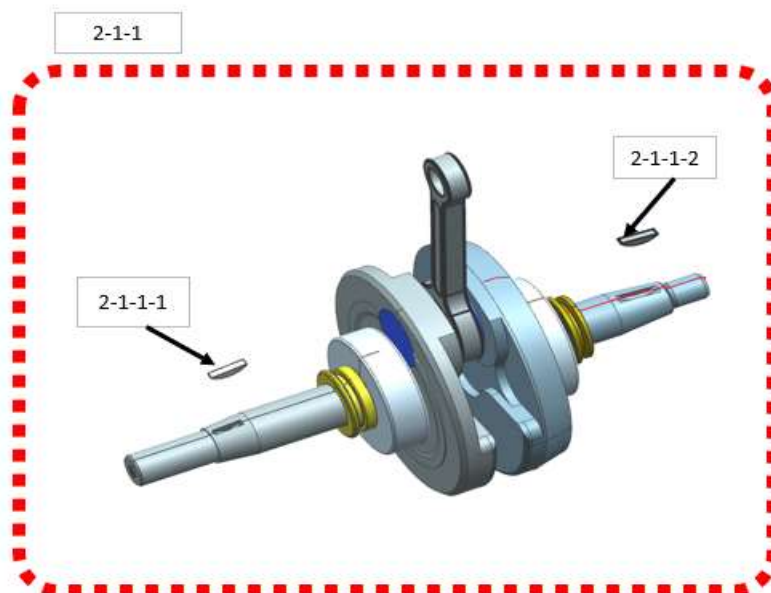
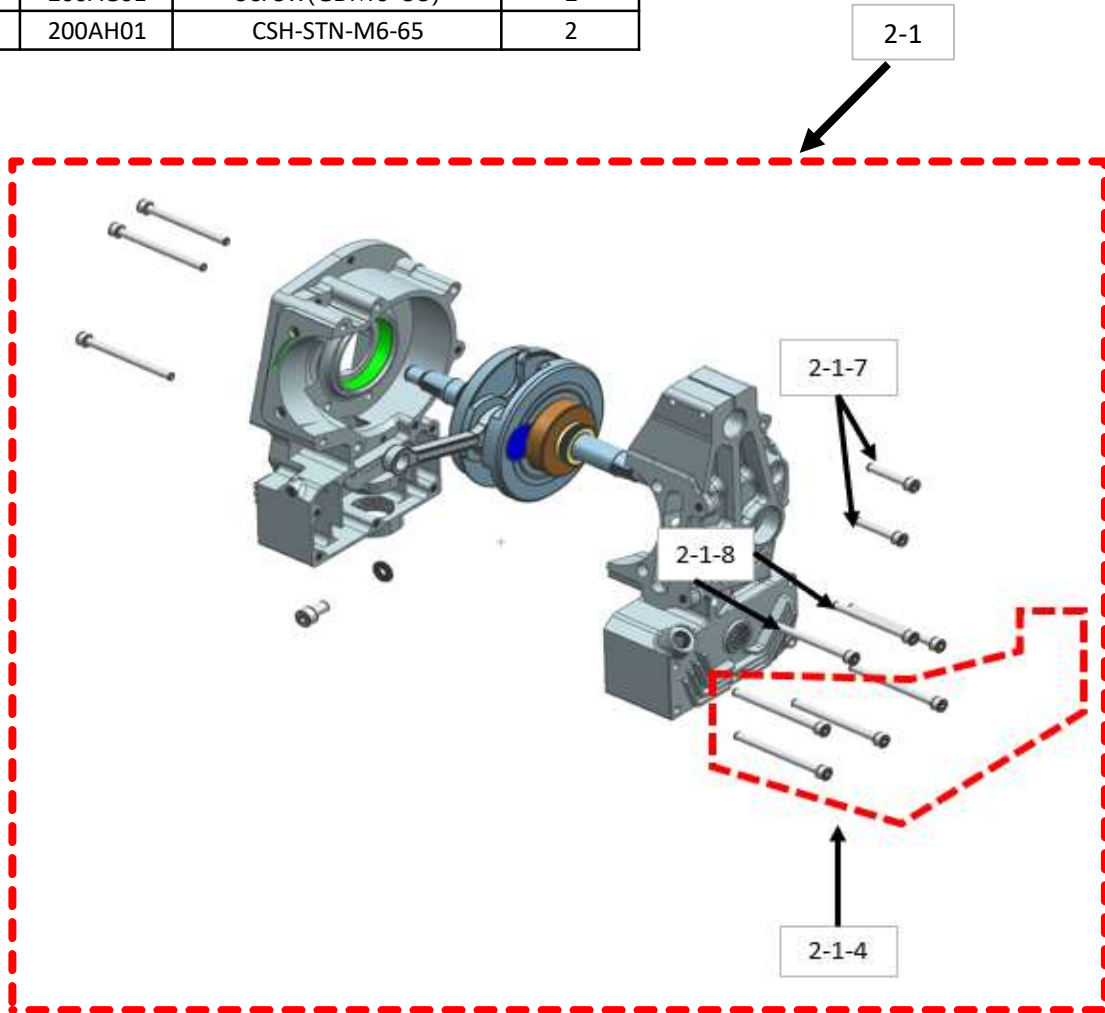
Item	P/N	Part name	Qty
2	200Z001	Engine unit	1
2-1	200A001	Crancase case block	1
2-2	200B001	Cylinder	1
2-3	200C001	Cylinder head	1
2-4	200D001	Head cover	1
2-4-1	200DA01	Head cover seal	1
2-5	200E001	Head cover screws	5
2-6	200F001	Cylinder cover	1
2-7	200G001	Vent cover assembly	1
2-7-1	200GA01	Oring(93210-71803)	1
2-7-2	200GB01	Bolt Washer(97517-06512)	1
2-7-3	200GC01	Plate Breather(5ML-E1165-00)	1
2-7-4	200GD01	Seal(4CW-E1155-00)	1
2-7-5	200GE01	Vent cover	1
2-7-6	200GF01	Vent cover tube	1
2-9	200I001	SCB5-8	1
2-10	200J001	CSHHB-ST-M6-105	2
2-11	200K001	CBM6-15	2



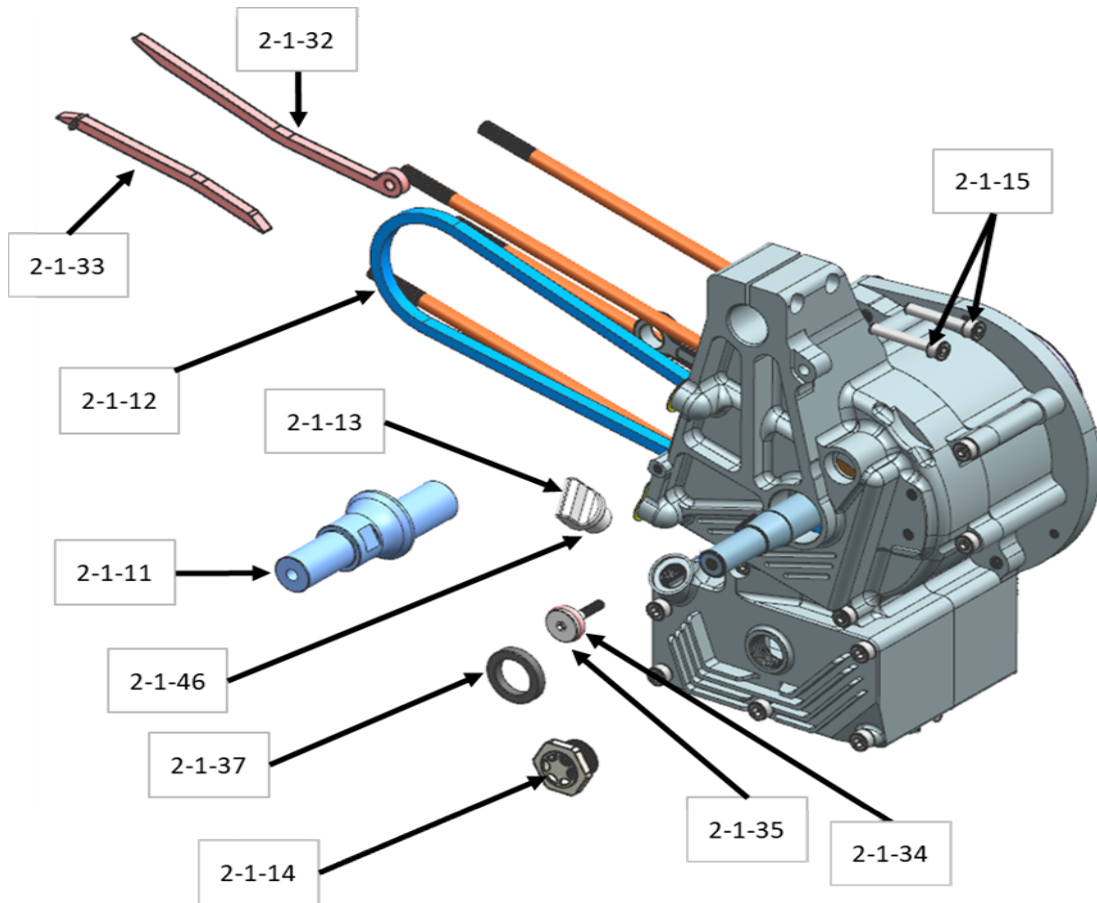
2-1 Crankcase block



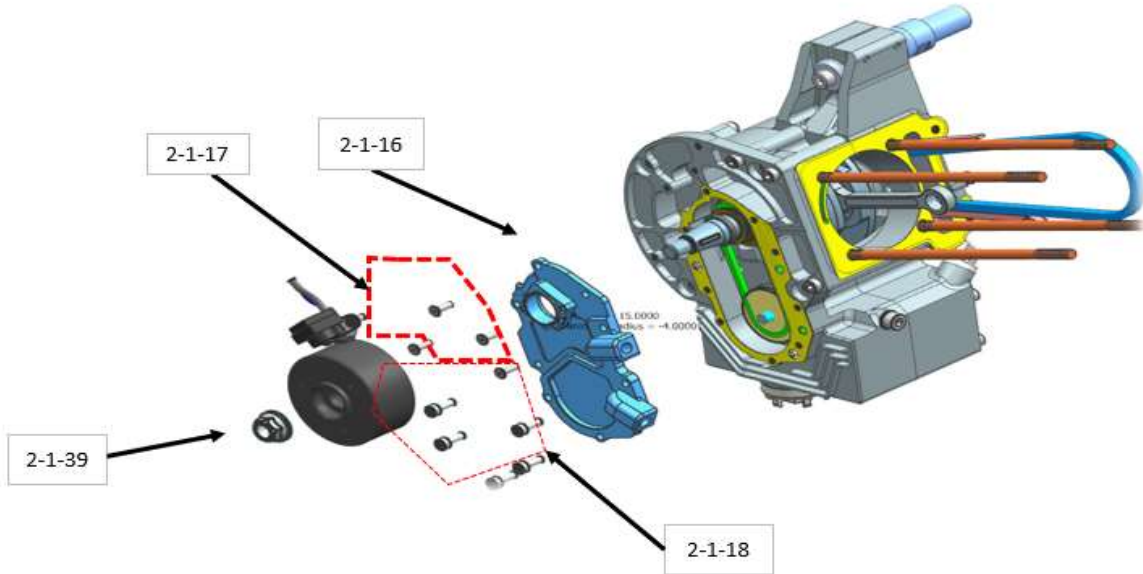
Item	P/N	Part name	Qty
2-1	200A001	Crankcase case block	1
2-1-1	200AA01	Crankshaft assembly	1
2-1-1-1	200AA02	RH rotor key	1
2-1-1-2	200AA03	LH clutch key	1
2-1-4	200AD01	screws(CSH-SUS-M6-75)	7
2-1-7	200AG01	screw(CBM6-35)	2
2-1-8	200AH01	CSH-STN-M6-65	2



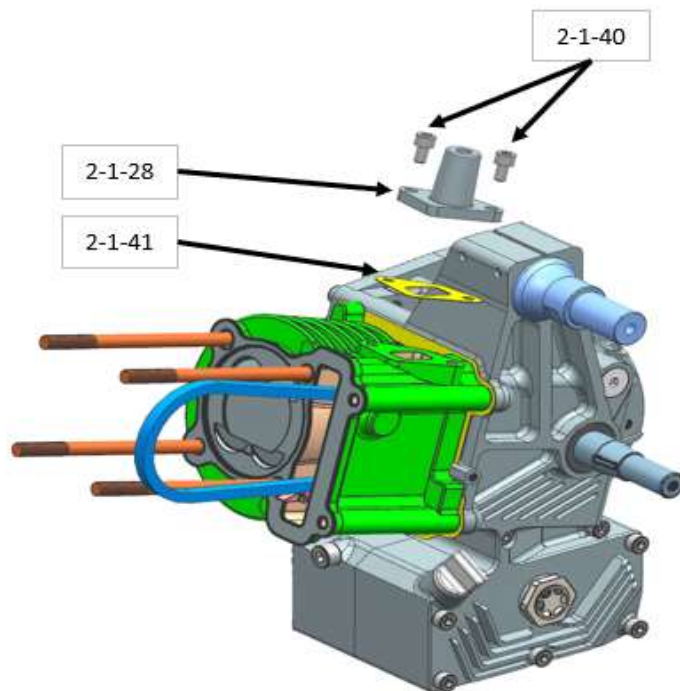
Item	P/N	Part name	Qty
2-1-11	200AK01	Propeller shaft	1
2-1-12	200AL01	Cam chain 98links	1
2-1-13	200AM01	Oil cap(4Y4-E5363-00)	1
2-1-14	200AN01	Oil window	1
2-1-15	200AG01	screws(CBM6-35)	2
2-1-32	200AAF1	Upper tensioner(5ML-E2241-00)	1
2-1-33	200AAG1	Lower tensioner(5ML-E2231-00)	1
2-1-34	200AAH1	Tensioner bolt(3B3-E2157-00)	1
2-1-35	200AAI1	ensioner bolt oring(93210-15862)	1
2-1-37	200AAK1	Front crankshaft seal(30/19.8/5)	1
2-1-46	200AM02	Oil cap seal(93210-14805)	1



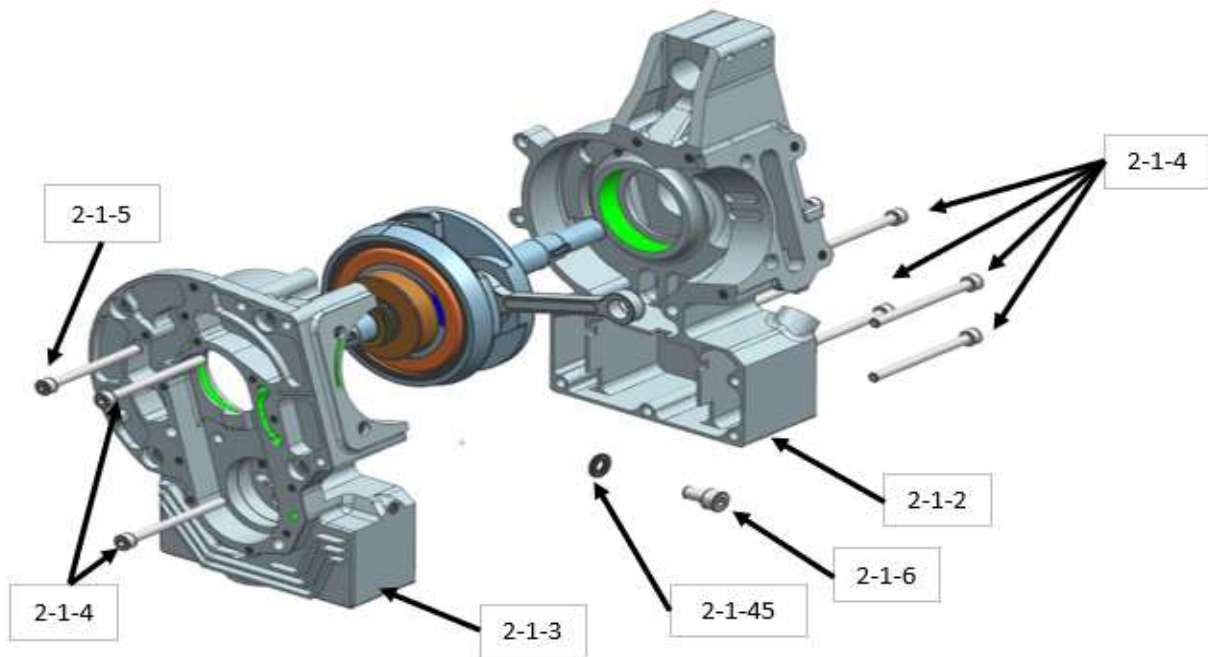
Item	P/N	Part name	Qty
2-1-16	200AP01	Crankcase cover	1
2-1-17	200AQ01	screws(CBSTSR5-14)	4
2-1-18	200AR01	CSHHA-STU-M5-15	5
2-1-39	200AAM1	Nut(FNT-STU-MS12)	1



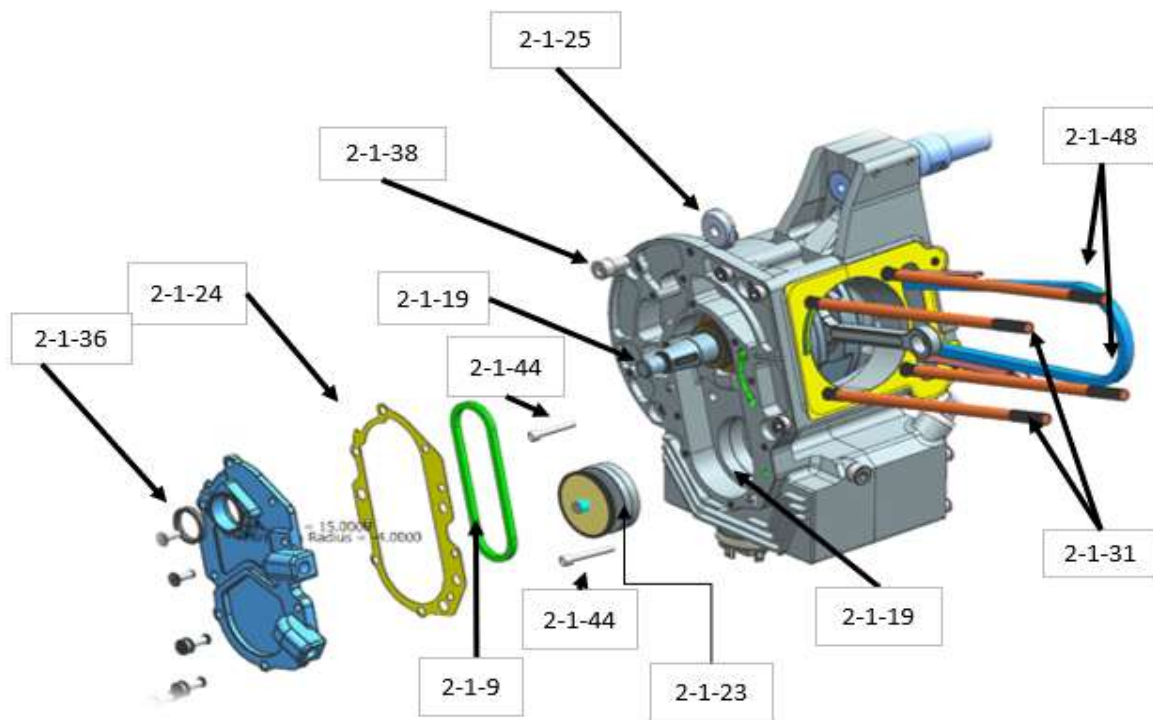
Item	P/N	Part name	Qty
2-1-28	200AAB1	Tensioner(5ML-E5351-20)	1
2-1-40	200AAN1	screws(CBM6-15)	2
2-1-41	200AAO1	Tensioner gasket	1



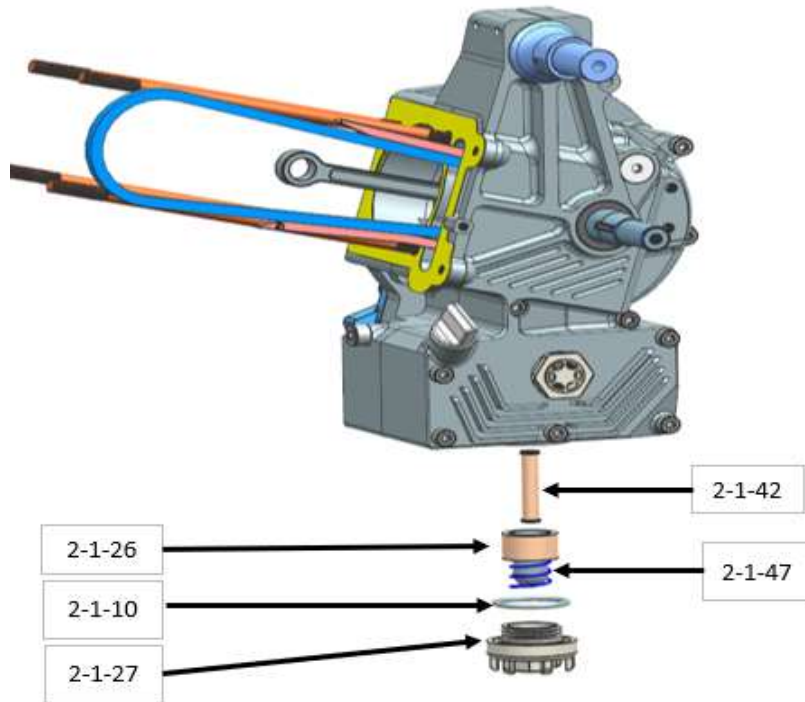
Item	P/N	Part name	Qty
2-1-2	200AB01	Crankcase Front	1
2-1-3	200AC01	Crankcase rear	1
2-1-4	200AD01	screws(CSH-SUS-M6-75)	7
2-1-5	200AE01	screws(SCB6-70)	1
2-1-6	200AF01	screw(CBM8-15)	2
2-1-45	200AAS1	M8 AL washer	1



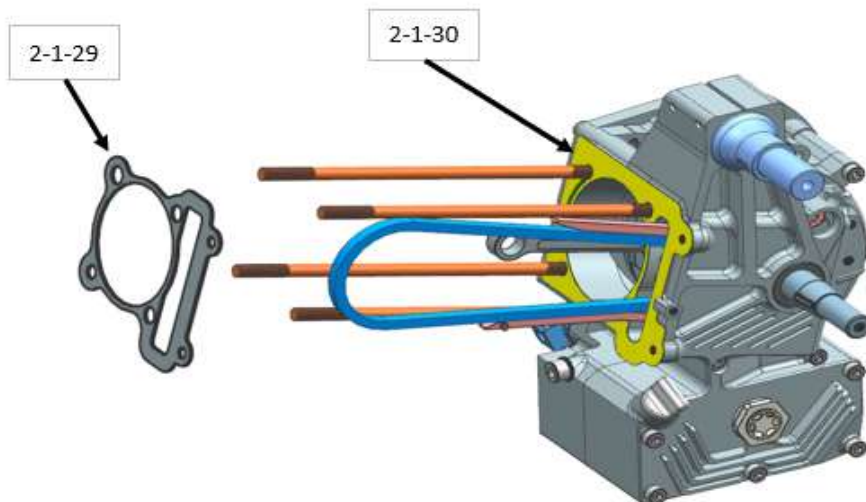
Item	P/N	Part name	Qty
2-1-9	200AI01	Oil pump chain(15141-GFY6-90	2
2-1-19	200AS01	8mm Location pin(8X14)	4
2-1-23	200AW01	Oil pump(15100-GFY6-901	1
2-1-24	200AX01	Crankcase cover gasket	1
2-1-25	200AY01	Propeller shaft spacer	1
2-1-31	200AAE1	Stud bolt LH	2
2-1-48	200AAS2	Stud bolt RH	2
2-1-36	200AAJ1	Crankshaft seal(30/19.8/5)	1
2-1-38	200AAL1	CBM8-15	1
2-1-44	100G001	CBM6-25	2



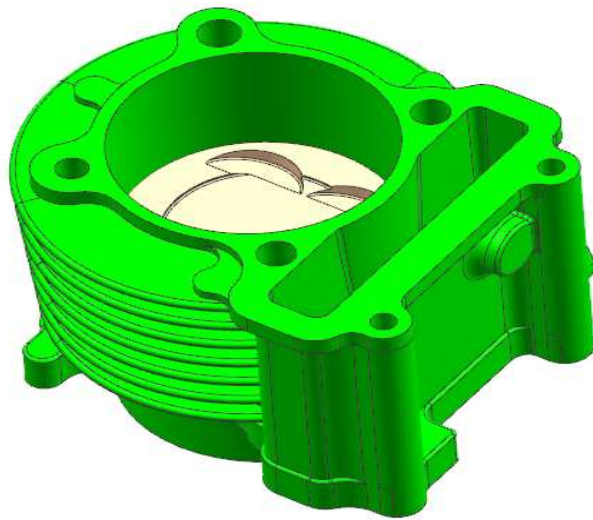
Item	P/N	Part name	Qty
2-1-10	200AJ01	Oil cap seal ring(93210-29800)	1
2-1-26	200AZ01	Oil net(5ML-E3411-00)	1
2-1-27	200AAA1	Oil drawn cap(5ML-E5351-2)	1
2-1-42	200AAP1	Oil pipe(5ML-E3416-00)	1
2-1-47	200AZ02	Oil net spring(90501-16004)	1



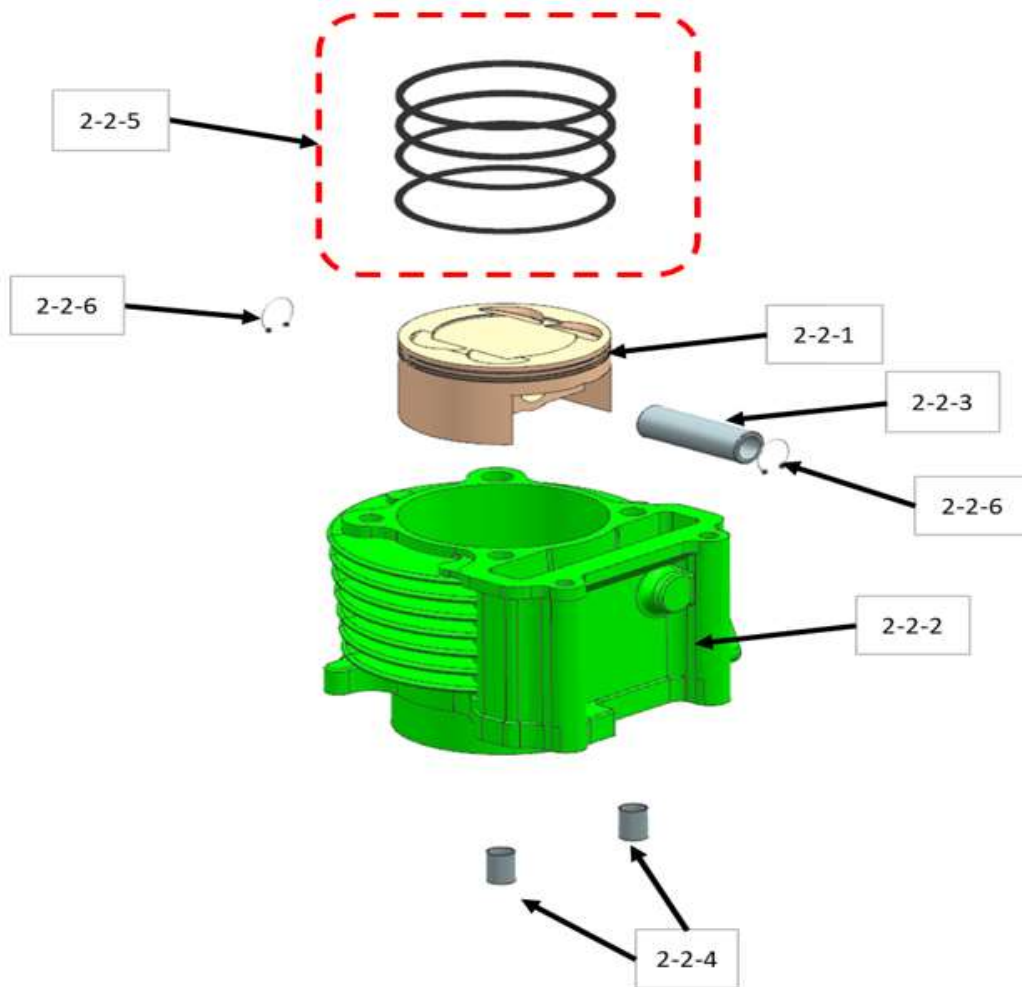
Item	P/N	Part name	Qty
2-1-29	200AAC1	Head gasket	1
2-1-30	200AAD1	Base gasket	1



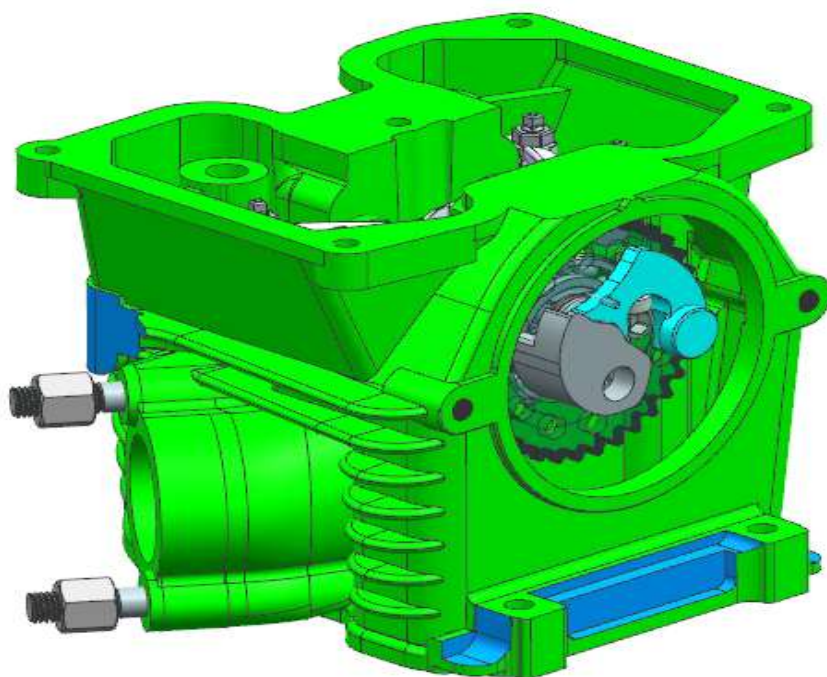
2-2 Cylinder sub-assembly



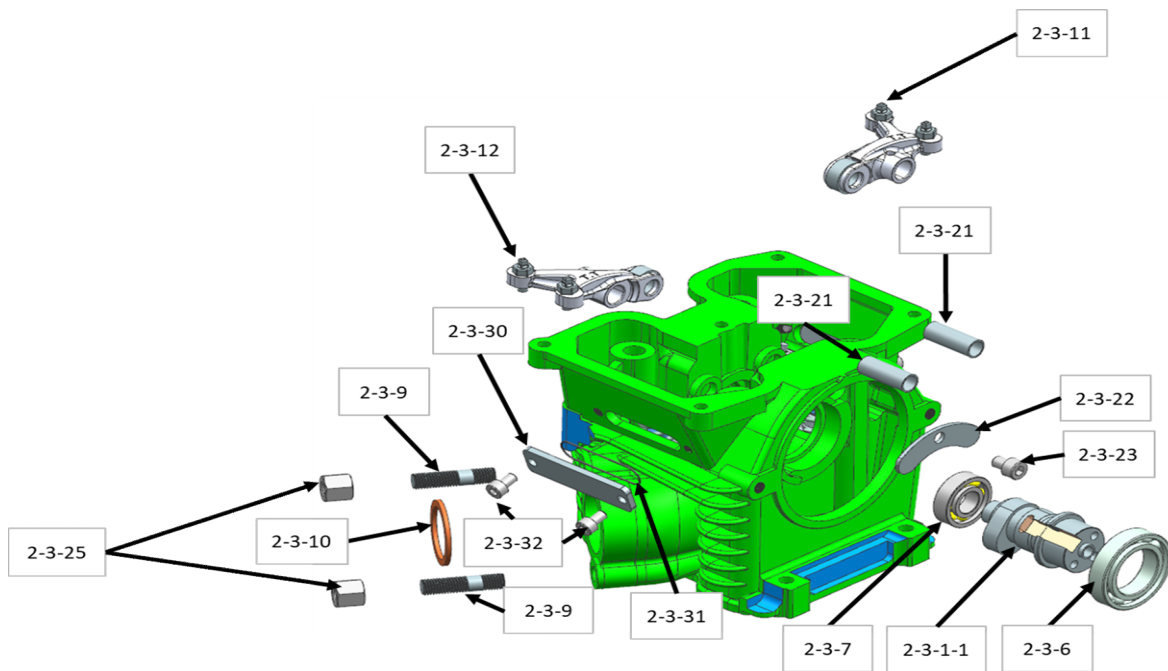
Item	P/N	Part name	Qty
2-2	200B001	Cylinder unit	1
2-2-1	200BA01	Piston	1
2-2-2	200BB01	Cylinder unit	1
2-2-3	200BC01	Piston pin	1
2-2-4	200BD01	Stud locator(10X14mm)	1
2-2-5	200BF01	Piston ring set	1
2-2-6	200BG01	Piston pin clip set	2



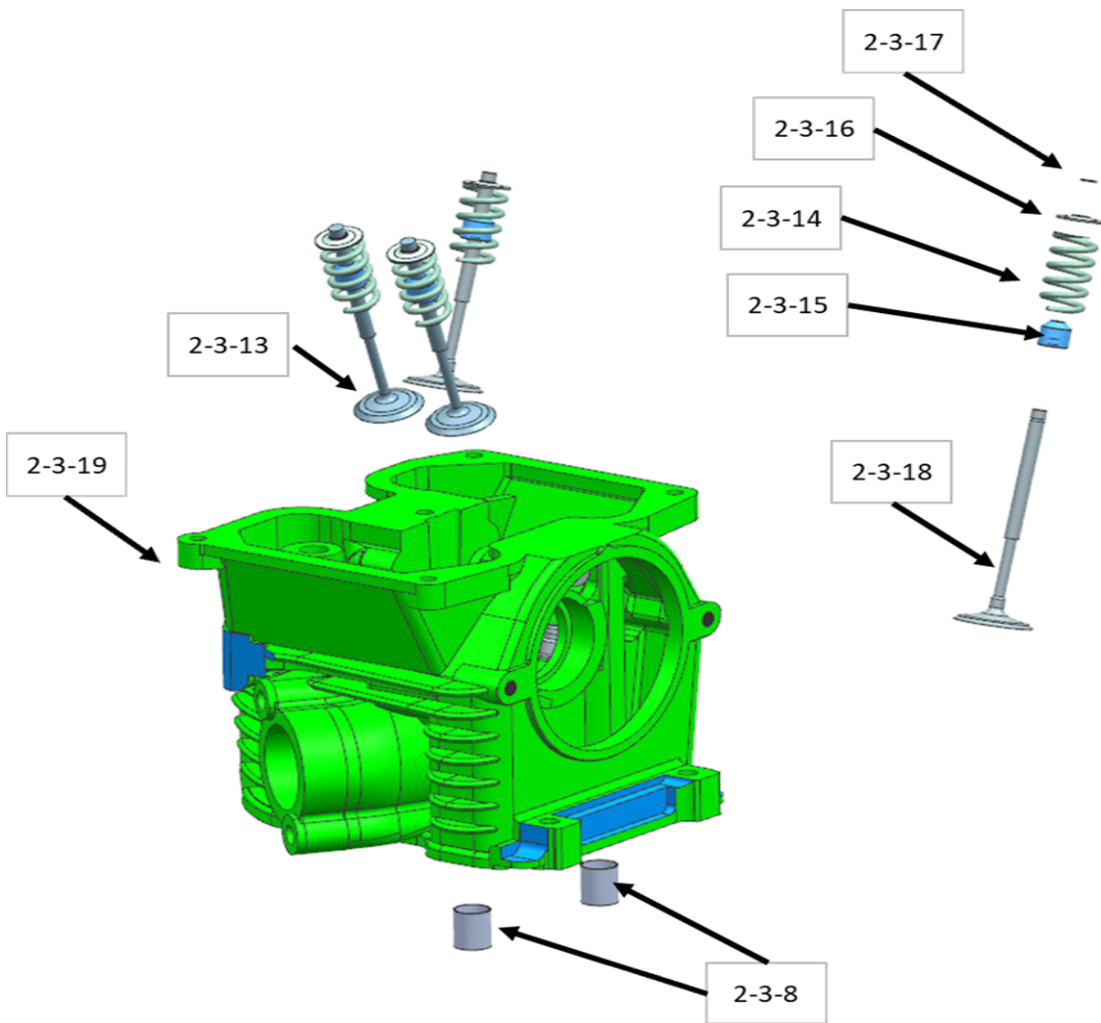
2-3 Cylinder head sub-assembly



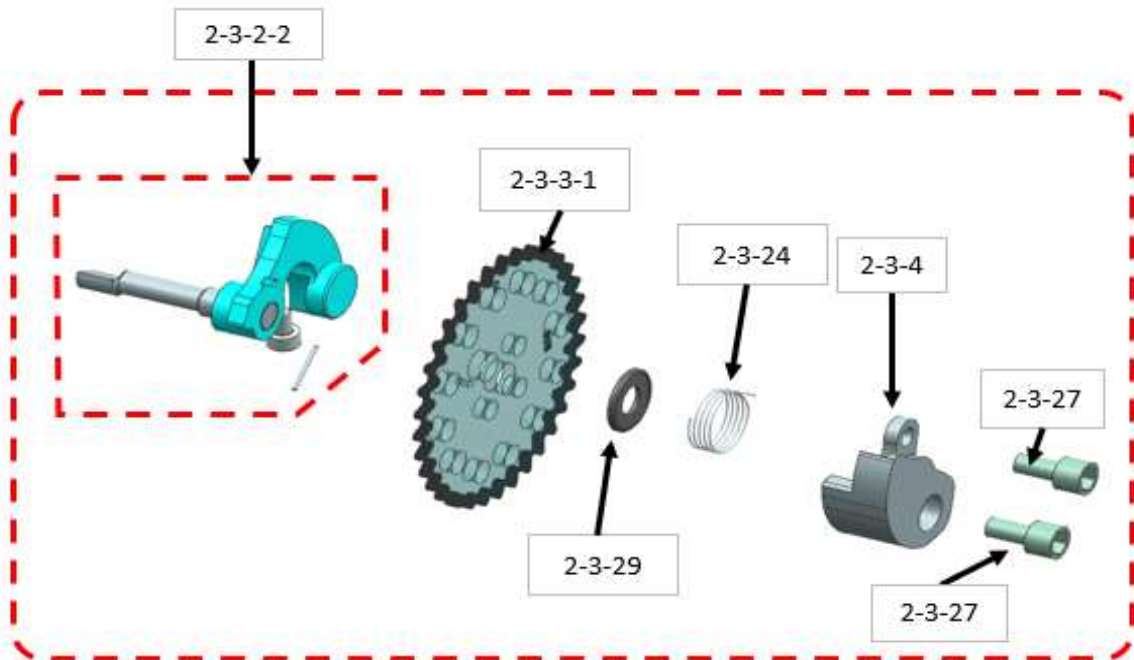
Item	P/N	Part name	Qty
2-3	200C001	Cylinder head assembly	1
2-3-1-1	200CA01-1	Camshaft	1
2-3-6	200CF01	61904 bearing	1
2-3-7	200CG01	6001 bearing	1
2-3-9	200CI01	Head exhaust stud bolt	2
2-3-10	200CK01	EX pipe gasket	1
2-3-11	200CL01	IN rocker arm	1
2-3-12	200CM01	EX rocker arm	1
2-3-21	200CU01	rocker arm pin(5HK-E2156-00	2
2-3-22	200CV01	rocker arm plate(5ML-E111F-0	1
2-3-23	200AAN1	screws(CBM6-10)	1
2-3-25		nut copper M8	2
2-3-30	200CV02	Rocker_arm_cover	2
2-3-31	200CV03	Rocker_arm_cover_seal	2
2-3-32	200CV04	Rocker_arm_cover_screws	4



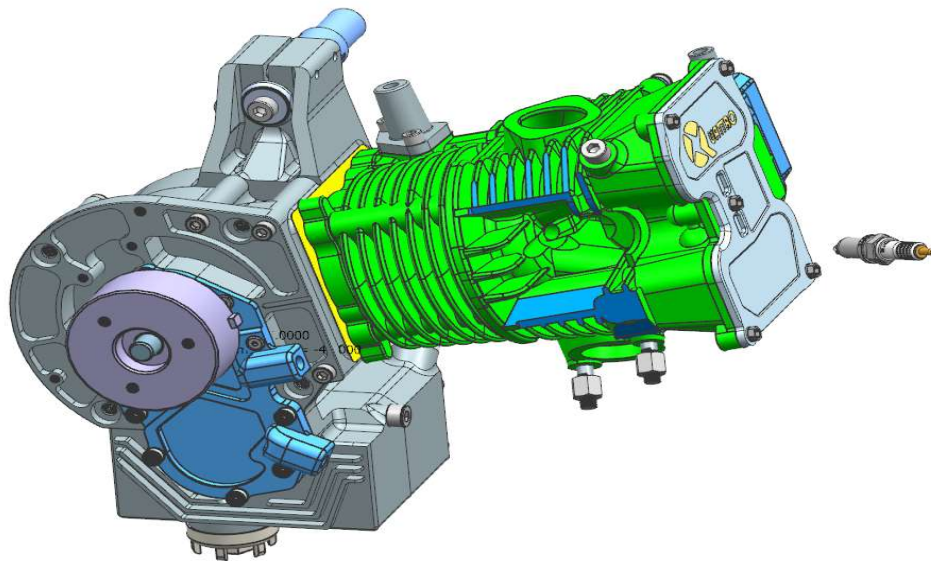
Item	P/N	Part name	Qty
2-3-8	200CH01	Stud locator M12	2
2-3-13	200CN01	EX valve	2
2-3-14	200CO01	Valve spring	4
2-3-15	200CP01	Valve seal	4
2-3-16	200CQ01	Valve retainer	4
2-3-17	200CR01	Valve clip	8
2-3-18	200CS01	IN valve	2
2-3-19	200CT01	Machined cylinder head un	3



Item	P/N	Part name	Qty
2-3-3-1	200CC01-1	achined camshaft sprock	1
2-3-2-2	200CB01S	Decompression shaft	1
2-3-4	200CD01	Decompression cover	1
2-3-24	200CX01	Torsion spring	1
2-3-27	200CTX04	CBE5-12	2
2-3-29	200CX02	decomp shaft(12955-33G	1

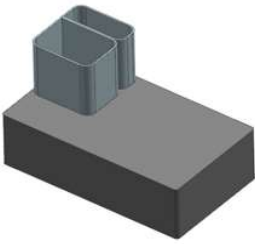


3 Ignition system

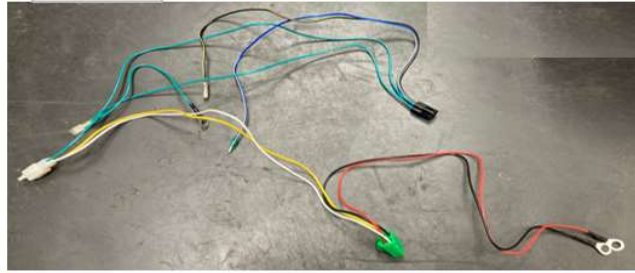


Item	P/N	Part name	Qty
3	300Z001	Ignition system	1
3-1	300A001	CDI	1
3-2	300B001	wire harness	1
3-3	300C001	Ignition coil	1
3-4	300D001	A.C.G	1
3-5	300E001	Regulator	1
2-8	200H001	NGK CR7E spark plug	1

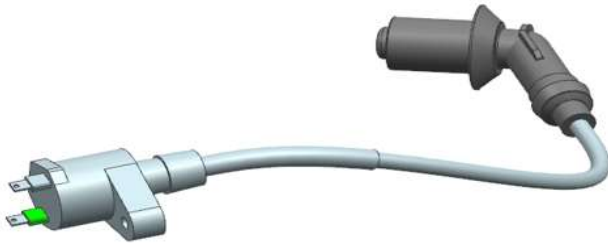
3-1



3-2



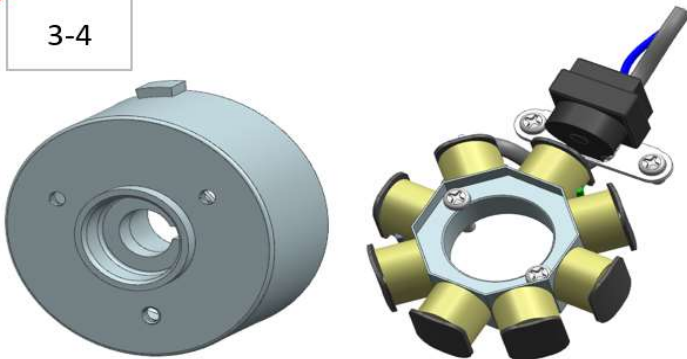
3-3



2-8



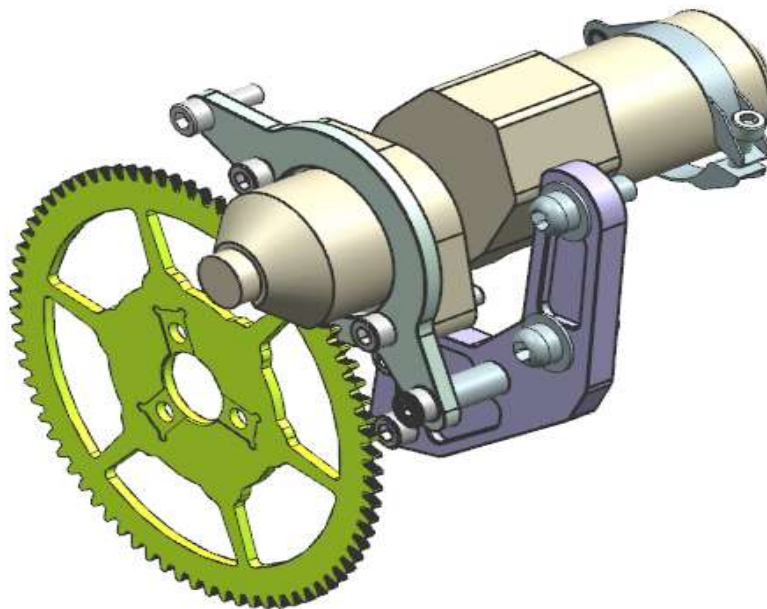
3-4



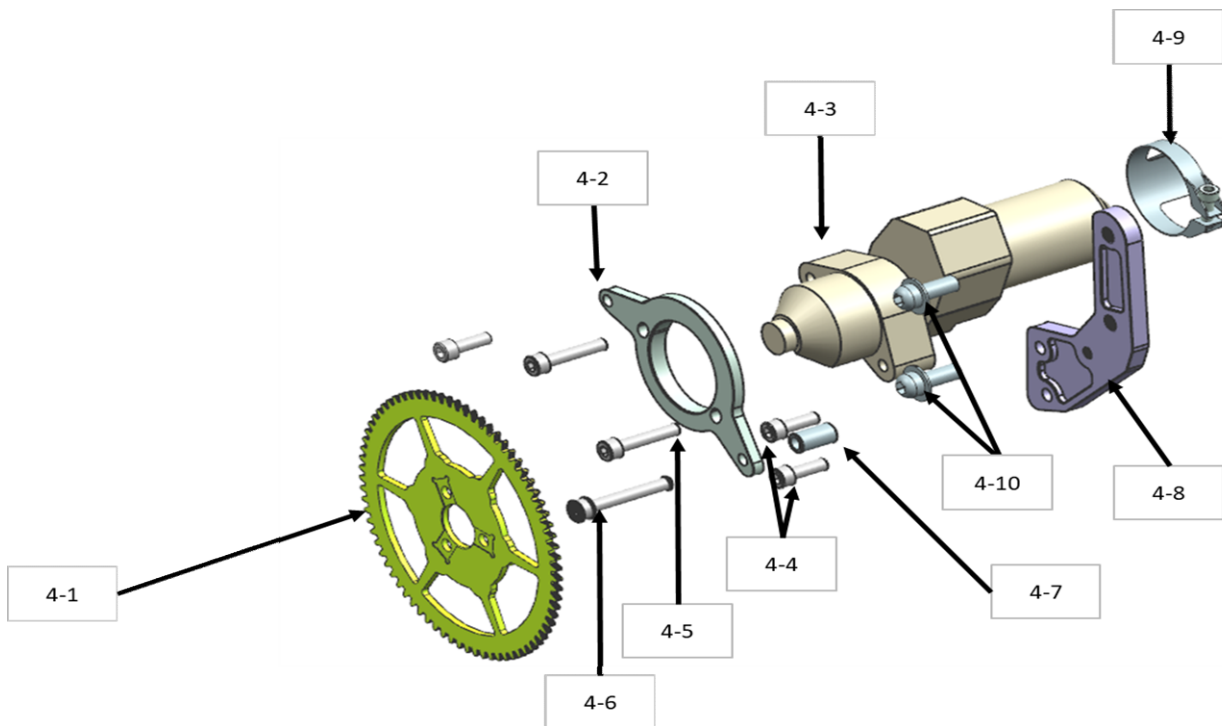
3-5



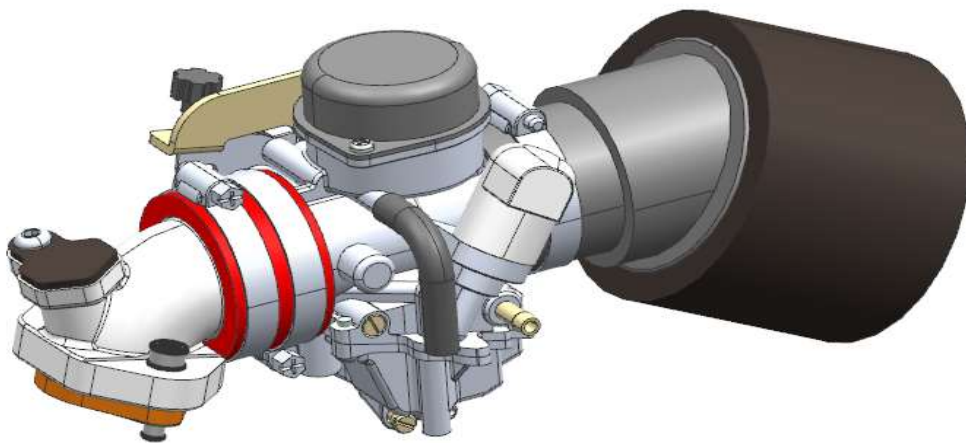
4 Start subassembly



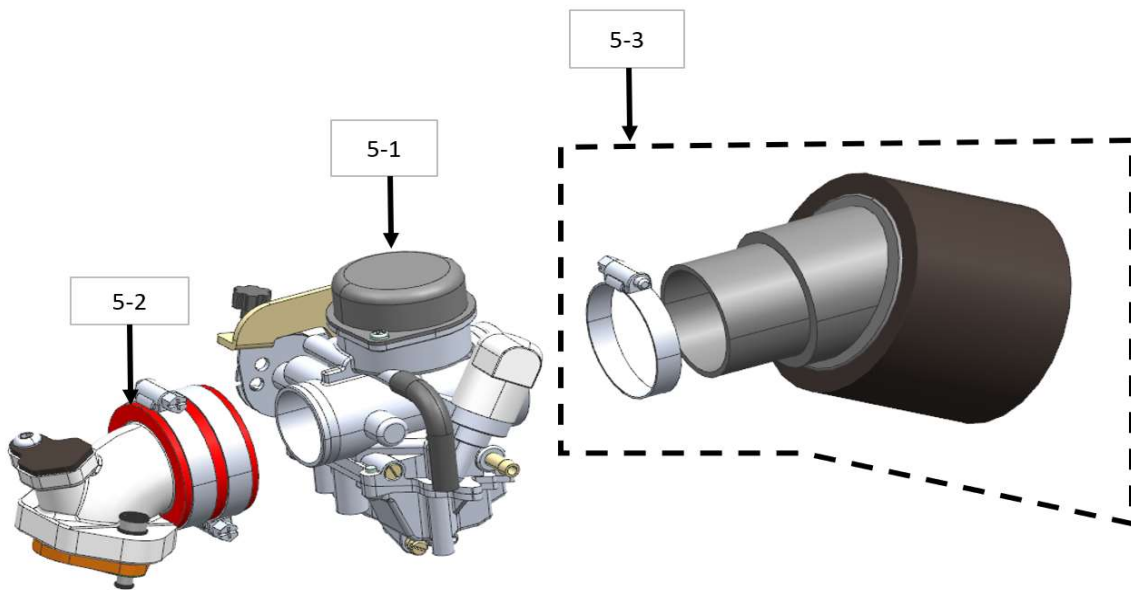
Item	P/N	Part name	Qty
4	400Z001	Starter subassembly	1
4-1	400A001	75T start gear	1
4-2	400B001	Starter support	1
4-3	400C001	Starter motor	1
4-4	200K001	CBE6-15	2
4-5	400E001	CBM6-30	2
4-6	400F001	CBM6-40	1
4-7	400G001	Starter support collar	1
4-8	400H001	Exhaust pipe bracket	1
4-9	400I001	Motor bracket	1
4-10	400J001	Silincer screw washer set	2



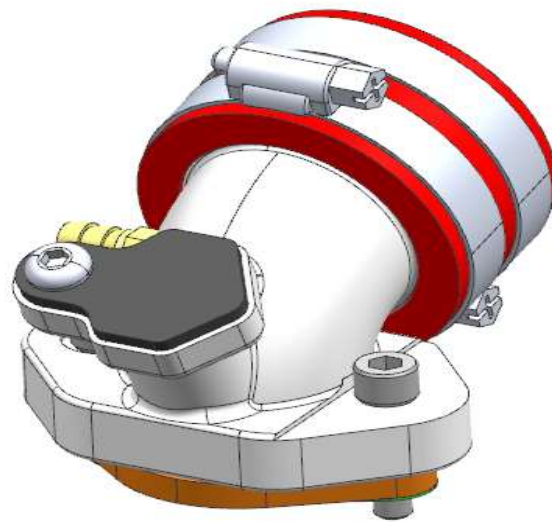
5 Fuel system



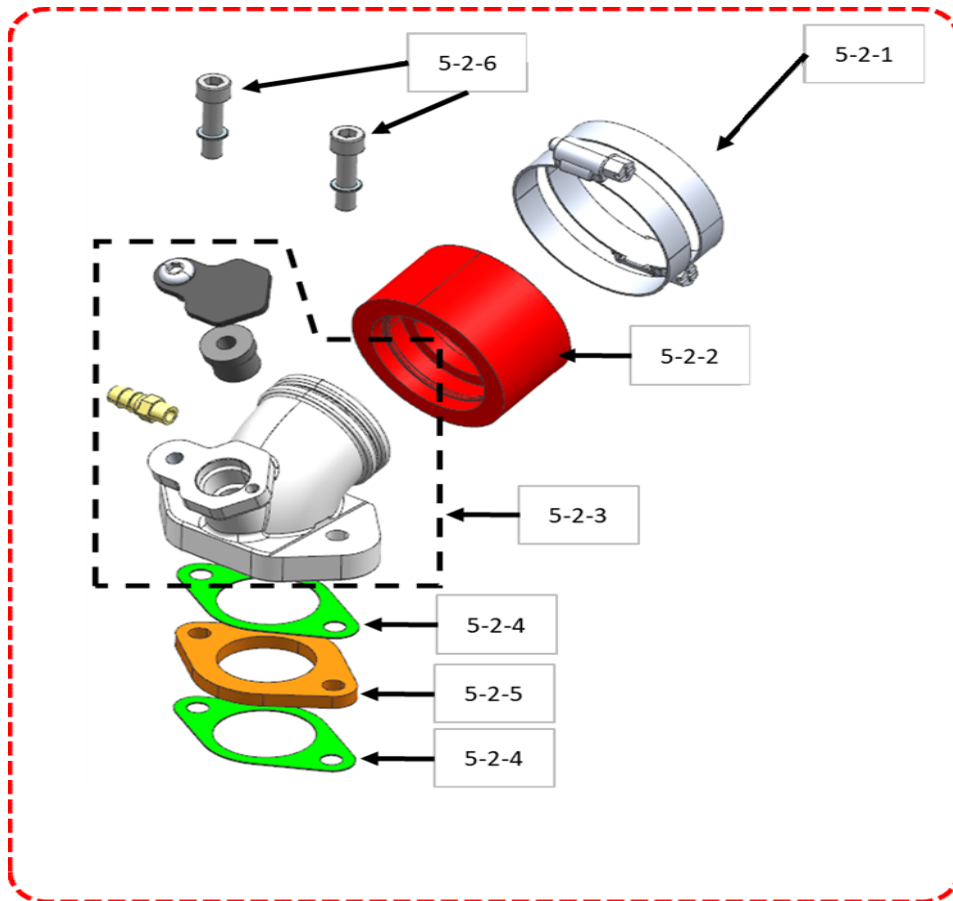
Item	P/N	Part name	Qty
5	500Z001	Fuel system	1
5-1	500A001	CVK30 carburetor	1
5-2	500B001	Mainfold	1
5-3	500C001	Air filter	1



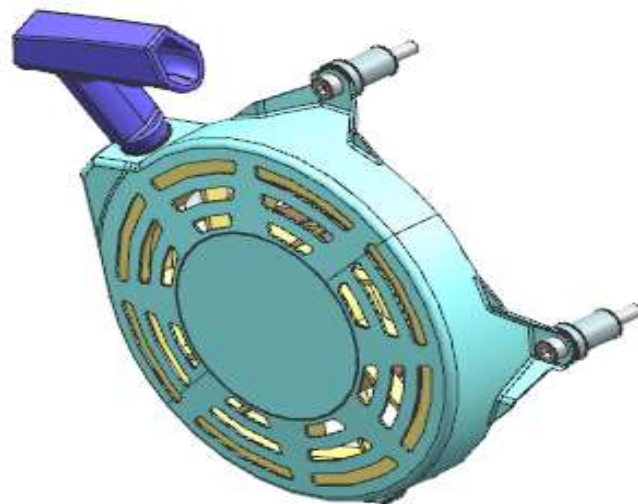
5-2 Manifold



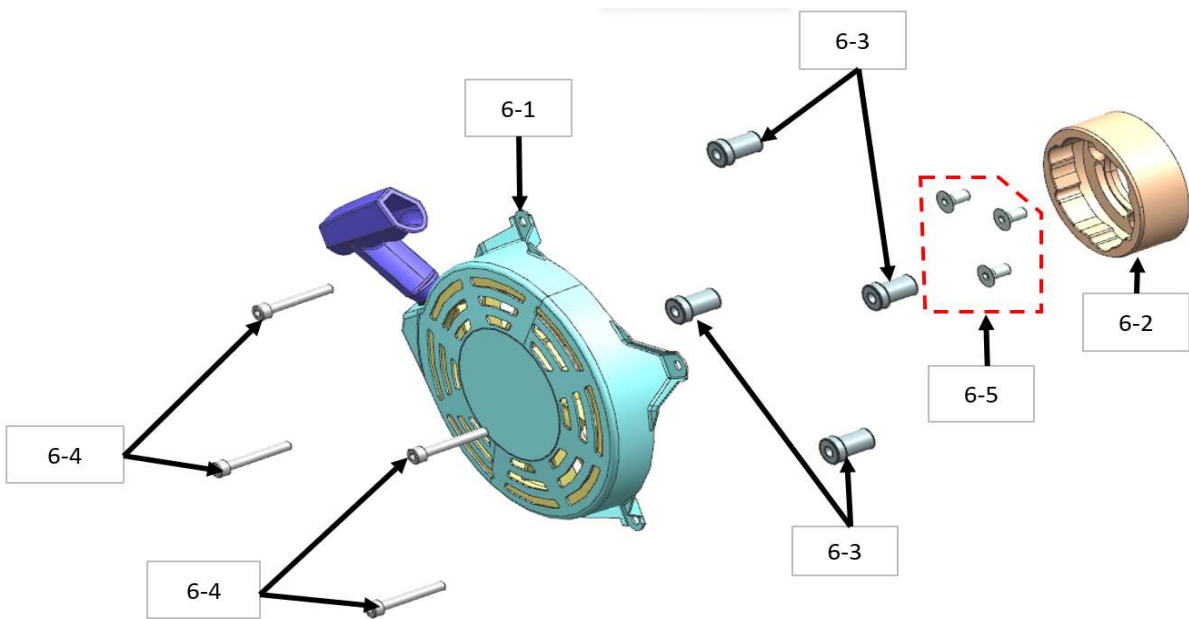
Item	P/N	Part name	Qty
5-2	500B001	Manifold subassembly	1
5-2-1	500BA01	Mental clip	2
5-2-2	500BA02	Robber joint	1
5-2-3	500BA03	Manifold unit	1
5-2-4	500BA04	Manifold gasket	2
5-2-5	500BA05	Manifold bacelite	1
5-2-6	400E001	screws(CBM6-30)	2



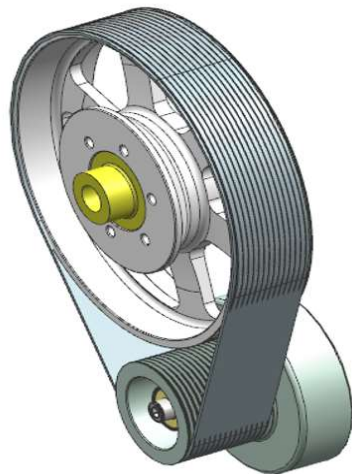
6 Rope start subassembly



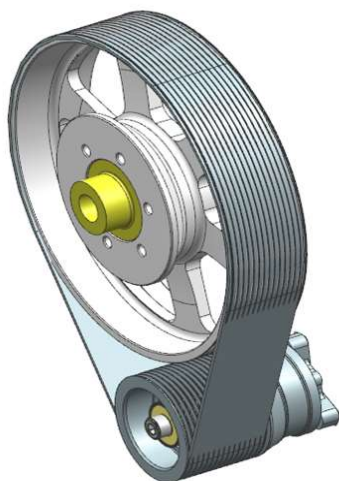
Item	P/N	Part name	Qty
6	600Z001	Rope starter	1
6-1	600A001	Rope starter unit	1
6-2	600B001	Starter rotor	1
6-3	600C001	Rope starter collar	4
6-4	600D001	BOX-SCB5-35	4
6-5	600F001	HFBCM6-12	3



7 Belt transmission subassembly

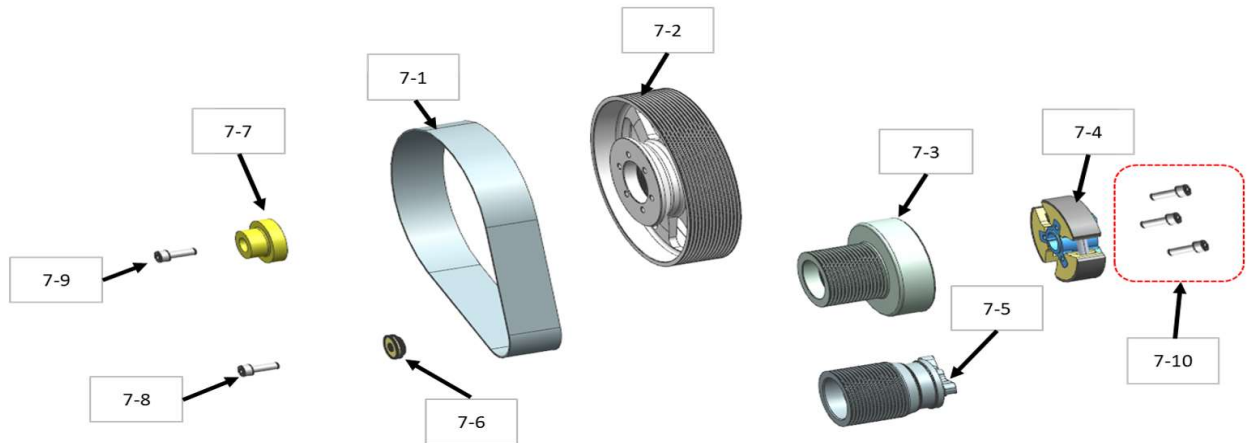


7-A

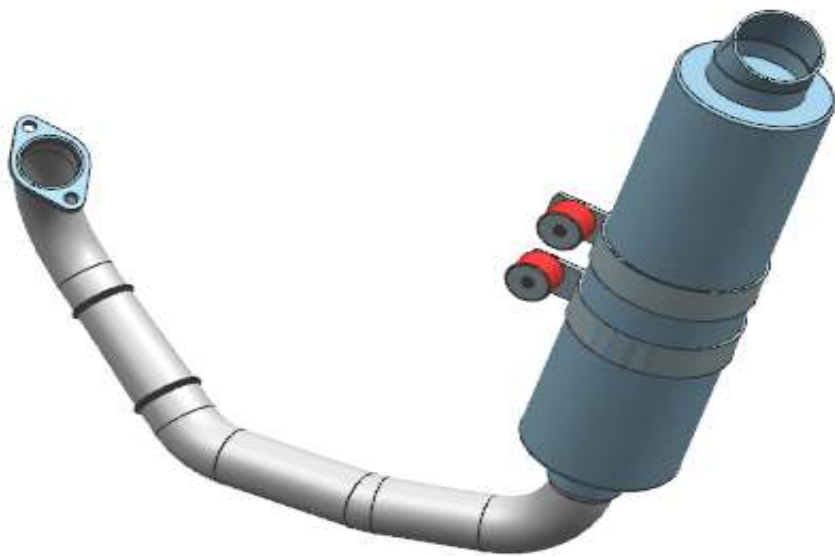


7-B

Item	P/N	Part name	Qty
7-A	700Z001	Transmission clutch Ver	1
7-B	700Z002	Transmission Direct drive Ver	1
7-1	700A001	Propeller_belt	1
7-2	700B001	Big pulley	1
7-3	700C001	Small pulley	1
7-4	700D001	Clutch	1
7-5	700D002	Direct drive pulley	1
7-6	700E001	Small cap washer	1
7-7	700F001	Big cap washer	1
7-8	700G001	Small pulley screw	1
7-9	700H001	Big pulley screw	1
7-10	700I001	Sprocket screw(M6X12)	3



8 Exhaust system



Item	P/N	Part name	Qty
8	800Z001	Exhaust system	1
8-1	800ZA01	Exhaust front	1
8-2	800ZA02	Silencer	1
8-3	800ZA03	Band	2
8-4	800ZA04	Rubber mount	2

